

# **SPECIFICATION MODEL CX-520D**



IMPEDANCE ..... 50 Ohms.

---

## **VOLTAGE**

Pull in ..... 10Vdc-14Vdc(12Vdc Nominal)  
Drop out ..... 3.0Vdc Min.  
Current ..... 139mA @12Vdc 20  
Coil resistance ..... 86 Ohms 10% 20

---

## **SWITCHING TIME**

Pull in ..... 20ms max.  
Drop out ..... 15ms max.  
LIFE EXPECTANCY ..... 1,000,000. Operation min.

---

## **MECHANICAL**

Contact arrangement ..... SPDT  
Operational temperature ..... -25 to +50 (Max Temperature Rise:20 )  
Weight ..... Approx 230gs.  
Mounting ..... Four screws  
Cable connections ..... 3 N Type female connectors

---

## **ELECTRICAL CHARACTERISTICS**

Frequency [MHz]	VSWR [Max]	Isolation [-dB(min)]	Ins.Loss [-dB(max)]	IN PUT RF Power [KW]
50	1.005	65	0.1	0.35
150	1.01	60	0.15	0.3
500	1.03	53	0.18	0.3
1000	1.05	46	0.2	0.25
1500	1.17	42	0.2	0.2
2000	1.2	39	0.25	0.15

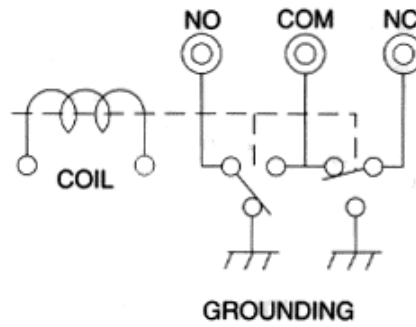
---

## **COIL CHARACTERISTICS**

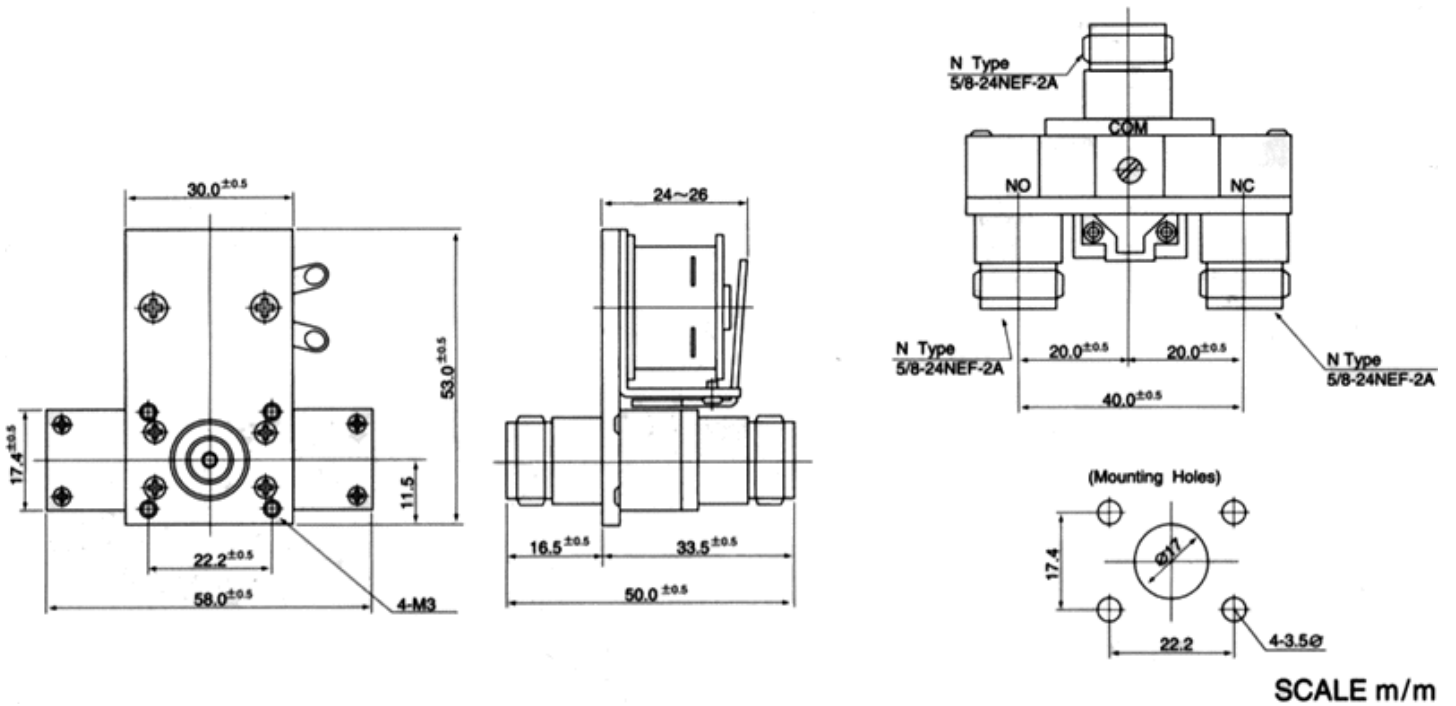
Nominal Voltage    Voltage Range    Resistance Ohms  
12Vdc                10Vdc - 14Vdc    86 ± 10% 20

Note : Other voltages are also available at option.

### Schematic



### DIMENSIONS



Specifications are subject to change without notice.

Question & coments? [info@tohtsu.com](mailto:info@tohtsu.com)  
send mail