

# **SPECIFICATION MODEL CX-120A**



IMPEDANCE ..... 50 Ohms.

---

## **VOLTAGE**

Pull in ..... 10Vdc-14Vdc(12Vdc Nominal)  
Drop out ..... 3Vdc Min.  
Current ..... 61mA @12Vdc 20  
Coil resistance ..... 196 Ohms 10% 20

---

## **SWITCHING TIME**

Pull in ..... 20ms typical.  
Drop out ..... 15ms typical.  
LIFE EXPECTANCY ..... 1,000,000. Operation min.

---

## **MECHANICAL**

Contact arrangement ..... SPDT  
Operational temperature ..... -25 to +50 (Max Temperature Rise:20 )  
Weighting ..... Approx 70gs.  
Mounting ..... Two screws  
Cable connections ..... Directly connect cable.

---

## **ELECTRICAL CHARACTERISTICS**

Frequency [MHz]	VSWR [Max]	Isolation [-dB(min)]	Ins.Loss [-dB(max)]	IN PUT RF Power [W]
50	1.05	60	0.05	250
150	1.1	50	0.1	200
500	1.3	40	0.2	150
1000	1.4	29	0.25	150

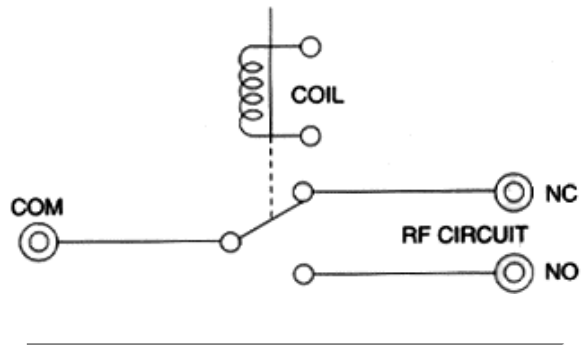
---

## **COIL CHARACTERISTICS**

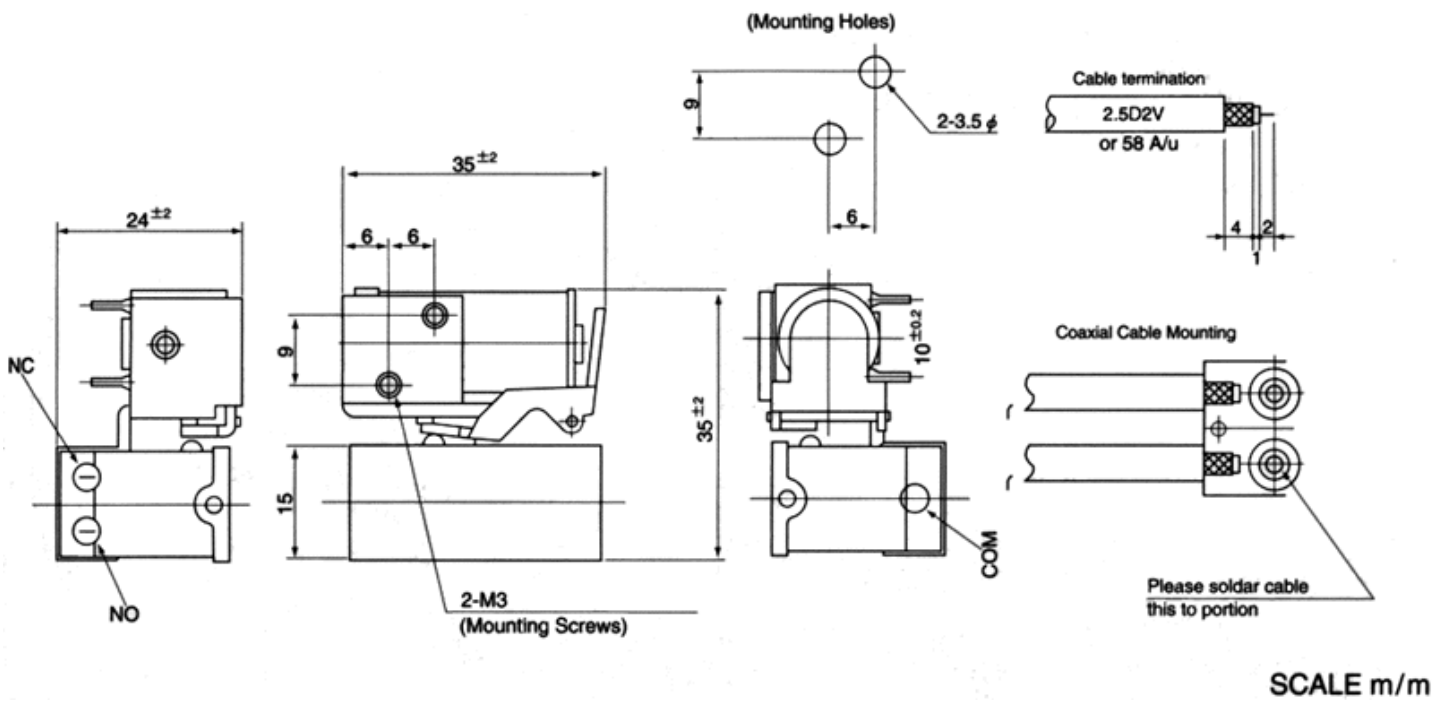
Nominal Voltage    Voltage Range    Coil Resistance Ohms  
12Vdc            10Vdc - 14Vdc    196 ± 10% 20  
Note : Other voltages are also available at option.

---

## Schematic



## DIMENSIONS



Specifications are subject to change without notice.

Question & coments?  
send mail [info@tohtsu.com](mailto:info@tohtsu.com)